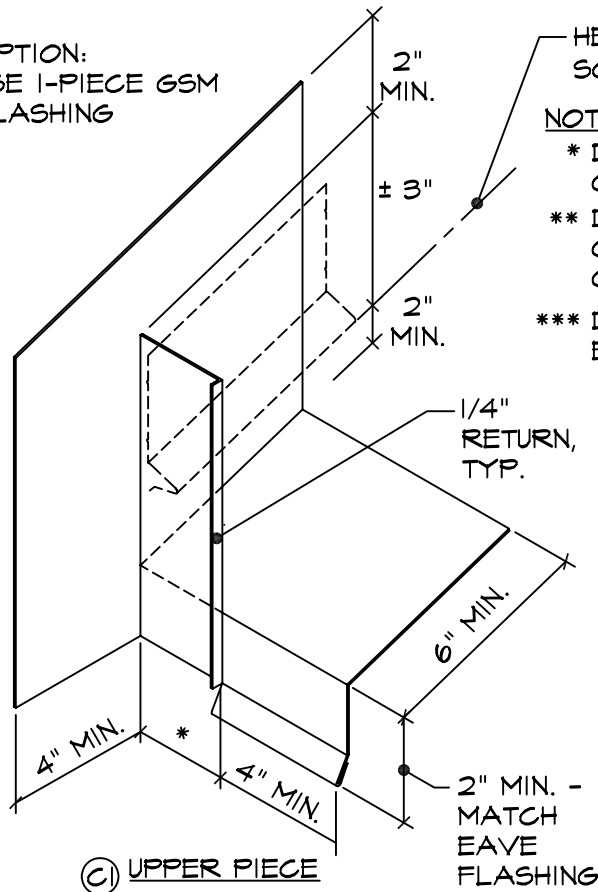


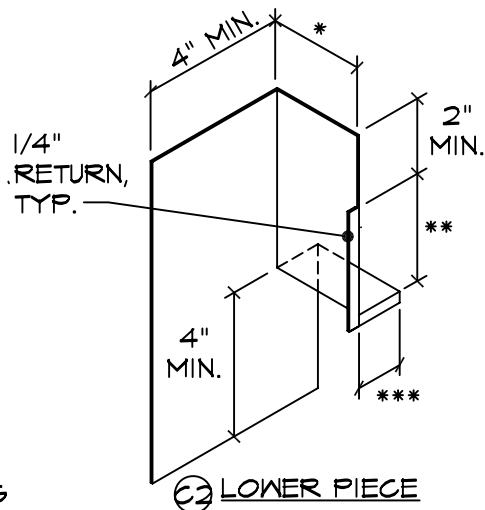
OPTION:
USE 1-PIECE GSM
FLASHING



HEIGHT OF WEEP
SCREED (VARIES)

NOTES:

- * DIMENSION EQUAL TO DEPTH OF CULTURED STONE® VENEER
- ** DIMENSION EQUAL TO HEIGHT OF EAVE TRIM TO BOTTOM OF GSM EAVE FLASHING
- *** DIMENSION EQUAL TO DEPTH OF EAVE/FASCIA TRIM



Ⓒ) UPPER PIECE

Ⓒ) LOWER PIECE

SHEATHING / WOOD STUDS - 2-PIECE
KICK-OUT FLASHING AT EAVE, TYP.

1-B
1.19D

SCALE: NONE

COPYRIGHT 2005 Owens Corning

detail is set to display properly using
Architxt.shx font

OC IB 1-19D
issued 05/15/2006